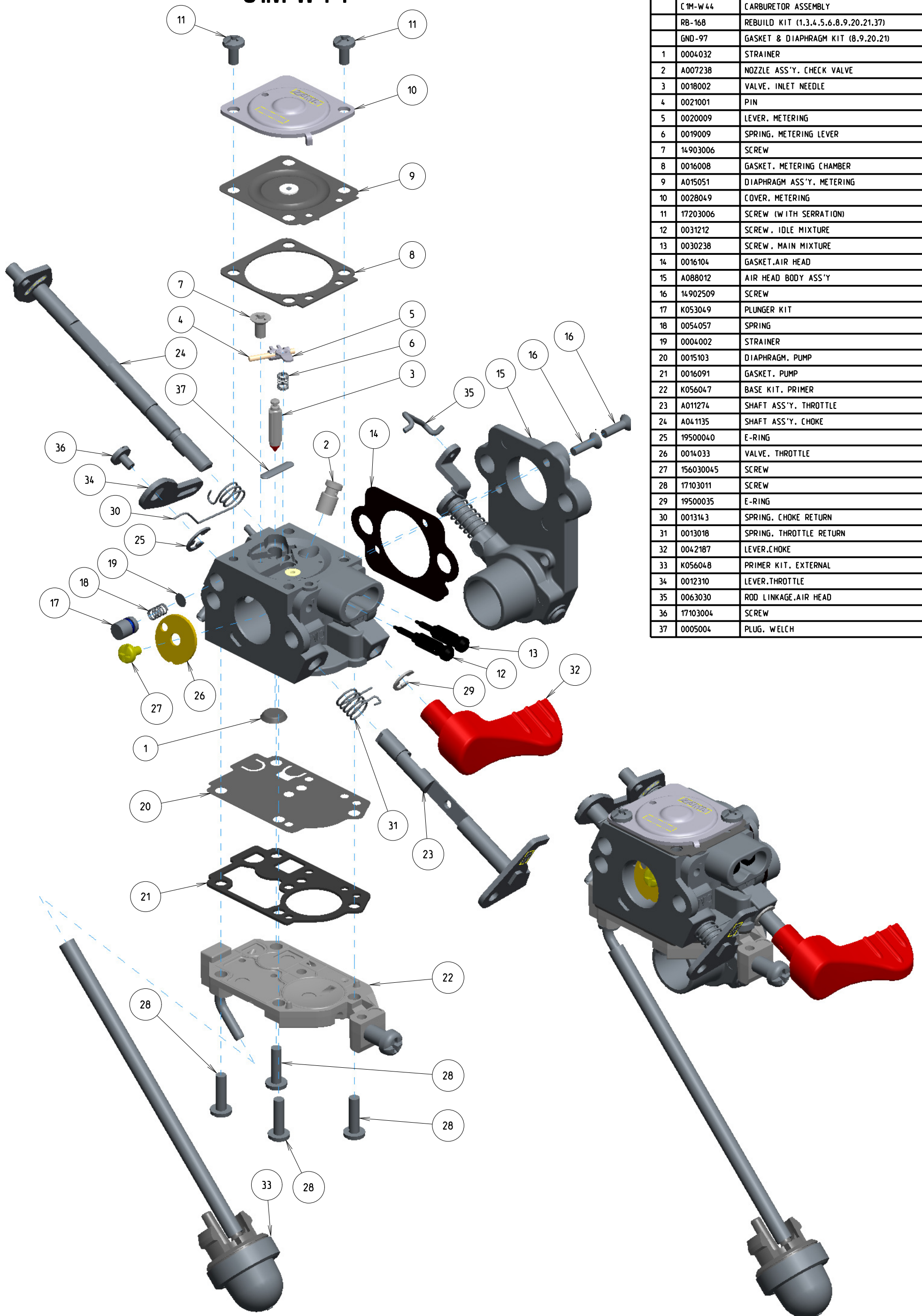


C1M-W44



ITEM	ZAMA PART NR.	DESCRIPTION
	C1M-W44	CARBURETOR ASSEMBLY
	RB-168	REBUILD KIT (1.3.4.5.6.8.9.20.21.37)
	GND-97	GASKET & DIAPHRAGM KIT (8.9.20.21)
1	0004032	STRAINER
2	A007238	NOZZLE ASS'Y. CHECK VALVE
3	0018002	VALVE. INLET NEEDLE
4	0021001	PIN
5	0020009	LEVER. METERING
6	0019009	SPRING. METERING LEVER
7	14903006	SCREW
8	0016008	GASKET. METERING CHAMBER
9	A015051	DIAPHRAGM ASS'Y. METERING
10	0028049	COVER. METERING
11	17203006	SCREW (WITH SERRATION)
12	0031212	SCREW. IDLE MIXTURE
13	0030238	SCREW. MAIN MIXTURE
14	0016104	GASKET. AIR HEAD
15	A088012	AIR HEAD BODY ASS'Y
16	14902509	SCREW
17	K053049	PLUNGER KIT
18	0054057	SPRING
19	0004002	STRAINER
20	0015103	DIAPHRAGM. PUMP
21	0016091	GASKET. PUMP
22	K056047	BASE KIT. PRIMER
23	A011274	SHAFT ASS'Y. THROTTLE
24	A041135	SHAFT ASS'Y. CHOKE
25	19500040	E-RING
26	0014033	VALVE. THROTTLE
27	156030045	SCREW
28	17103011	SCREW
29	19500035	E-RING
30	0013143	SPRING. CHOKE RETURN
31	0013018	SPRING. THROTTLE RETURN
32	0042187	LEVER. CHOKE
33	K056048	PRIMER KIT. EXTERNAL
34	0012310	LEVER. THROTTLE
35	0063030	ROD LINKAGE. AIR HEAD
36	17103004	SCREW
37	0005004	PLUG. WELCH