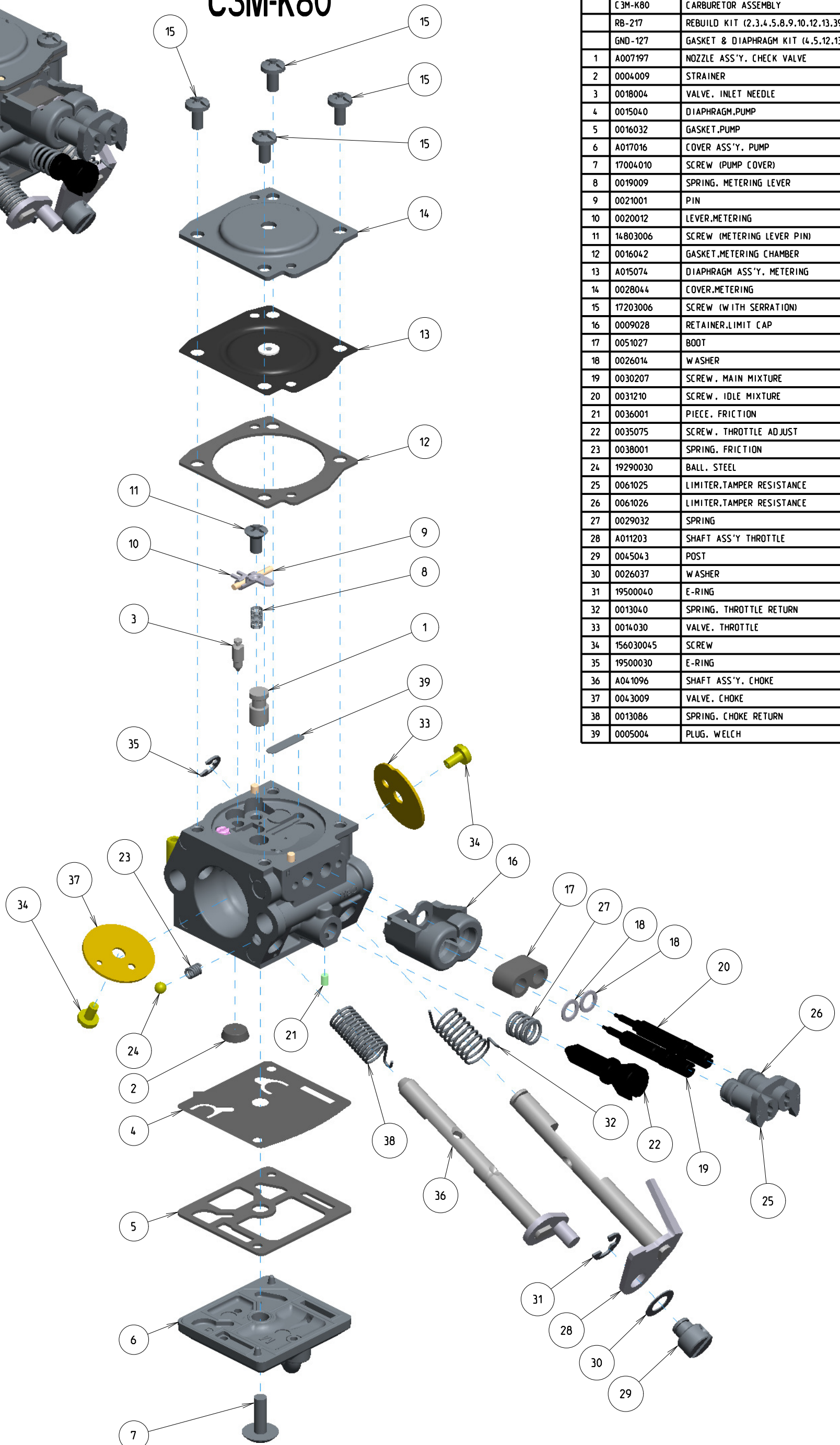
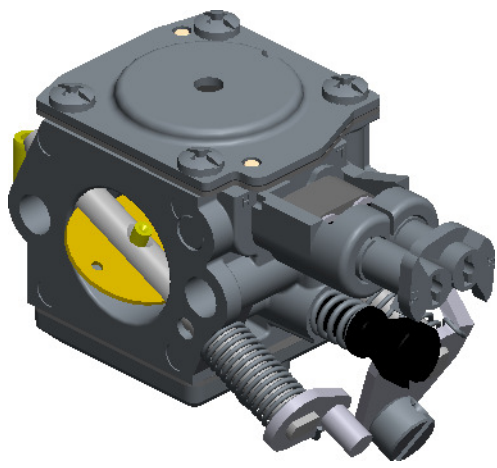


C3M-K80



ITEM	ZAMA PART NR.	DESCRIPTION
	C3M-K80	CARBURETOR ASSEMBLY
	RB-217	REBUILD KIT (2.3.4.5.8.9.10.12.13.39)
	GND-127	GASKET & DIAPHRAGM KIT (4.5.12.13)
1	A007197	NOZZLE ASS'Y. CHECK VALVE
2	0004009	STRAINER
3	0018004	VALVE. INLET NEEDLE
4	0015040	DIAPHRAGM.PUMP
5	0016032	GASKET.PUMP
6	A017016	COVER ASS'Y. PUMP
7	17004010	SCREW (PUMP COVER)
8	0019009	SPRING. METERING LEVER
9	0021001	PIN
10	0020012	LEVER.METERING
11	14803006	SCREW (METERING LEVER PIN)
12	0016042	GASKET.METERING CHAMBER
13	A015074	DIAPHRAGM ASS'Y. METERING
14	0028044	COVER.METERING
15	17203006	SCREW (WITH SERRATION)
16	0009028	RETAINER.LIMIT CAP
17	0051027	BOOT
18	0026014	WASHER
19	0030207	SCREW. MAIN MIXTURE
20	0031210	SCREW. IDLE MIXTURE
21	0036001	PIECE. FRICTION
22	0035075	SCREW. THROTTLE ADJUST
23	0038001	SPRING. FRICTION
24	19290030	BALL. STEEL
25	0061025	LIMITER.TAMPER RESISTANCE
26	0061026	LIMITER.TAMPER RESISTANCE
27	0029032	SPRING
28	A011203	SHAFT ASS'Y THROTTLE
29	0045043	POST
30	0026037	WASHER
31	19500040	E-RING
32	0013040	SPRING. THROTTLE RETURN
33	0014030	VALVE. THROTTLE
34	156030045	SCREW
35	19500030	E-RING
36	A041096	SHAFT ASS'Y. CHOKE
37	0043009	VALVE. CHOKE
38	0013086	SPRING. CHOKE RETURN
39	0005004	PLUG. WELCH