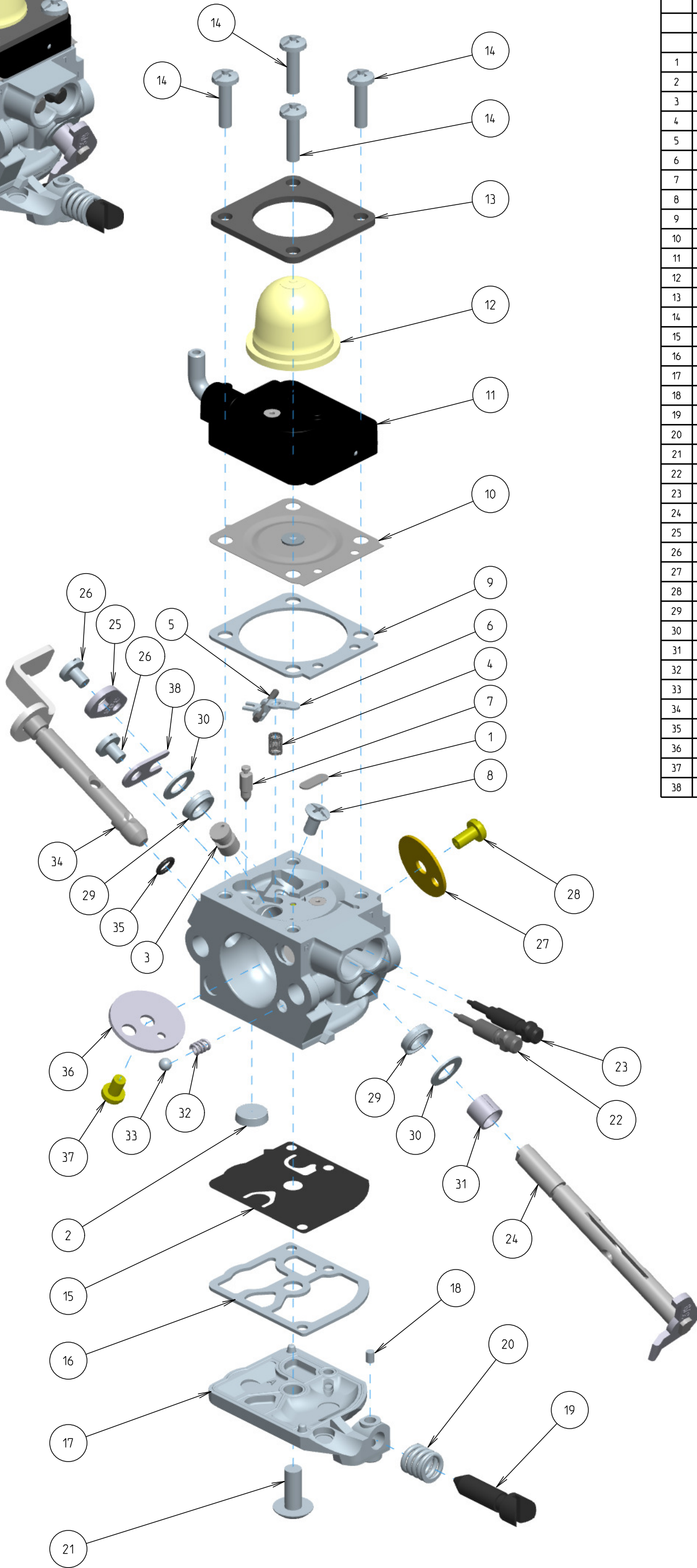
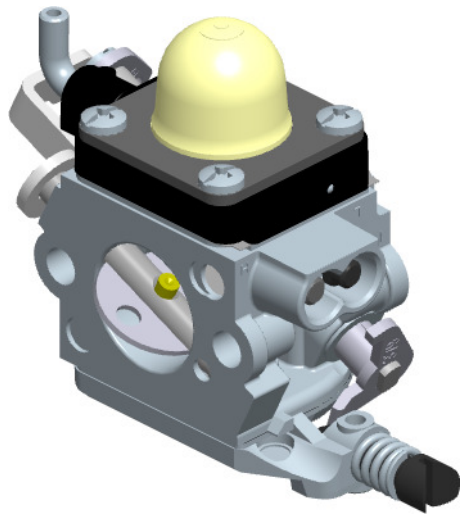


# Z011-120-0636-B



ITEM	ZAMA PART NR.	DESCRIPTION
	Z011-120-0636-B	Carburetor C10
	Z000 001 K022	Rebuilt kit (1,2,4,5,6,7,9,10,15,16)
	Z000 003 K012	Gasket & diaphragm kit (9,10,15,16)
	Z011 017 K002	Pump cover kit (17,18,19,20)
1	Z000 005 Z016	Plug
2	Z000 004 Z000	Strainer
3	Z000 007 A131	Nozzle assy
4	Z000 019 Z000	Metering spring
5	Z000 021 Z006	Pin
6	Z000 020 Z002	Metering Lever
7	Z000 018 Z003	Inlet needle
8	Z000 500 Z001	Metering Lever screw
9	Z000 016 Z010	Metering gasket
10	Z000 015 A008	Metering diaphragm assy
11	Z000 056 A005	Base primer assy
12	Z011 057 Z000	Primer bulb
13	Z000 009 Z007	Retainer
14	Z000 720 Z000	Binding screw vs serration
15	Z000 022 Z002	Pump diaphragm
16	Z000 023 Z012	Pump gasket
17	Z011 017 Z000	Pump cover
18	Z000 036 Z001	Friction piece
19	Z000 035 Z041	Idle speed screw
20	Z000 029 Z006	Adjustment screw spring
21	Z000 700 Z000	Truss head screw
22	Z000 030 Z109	High speed screw
23	Z000 031 Z137	Low speed screw
24	Z011 011 A002	Throttle shaft assy
25	Z011 012 Z004	Throttle lever
26	Z000 710 Z008	Binding head screw
27	Z000 014 Z003	Throttle valve
28	Z000 510 Z003	Valve screw
29	Z011 129 Z000	Rubber seal
30	Z000 026 Z012	Washer
31	Z000 052 Z013	Collar
32	Z000 038 Z001	Friction Spring
33	Z000 928 Z003	Stainless plug ball
34	Z000 041 A012	Choke shaft assy
35	Z000 957 Z003	1st class O-ring
36	Z000 043 Z002	Choke Valve
37	Z000 510 Z000	Valve screw
38	Z011 009 Z001	Retainer