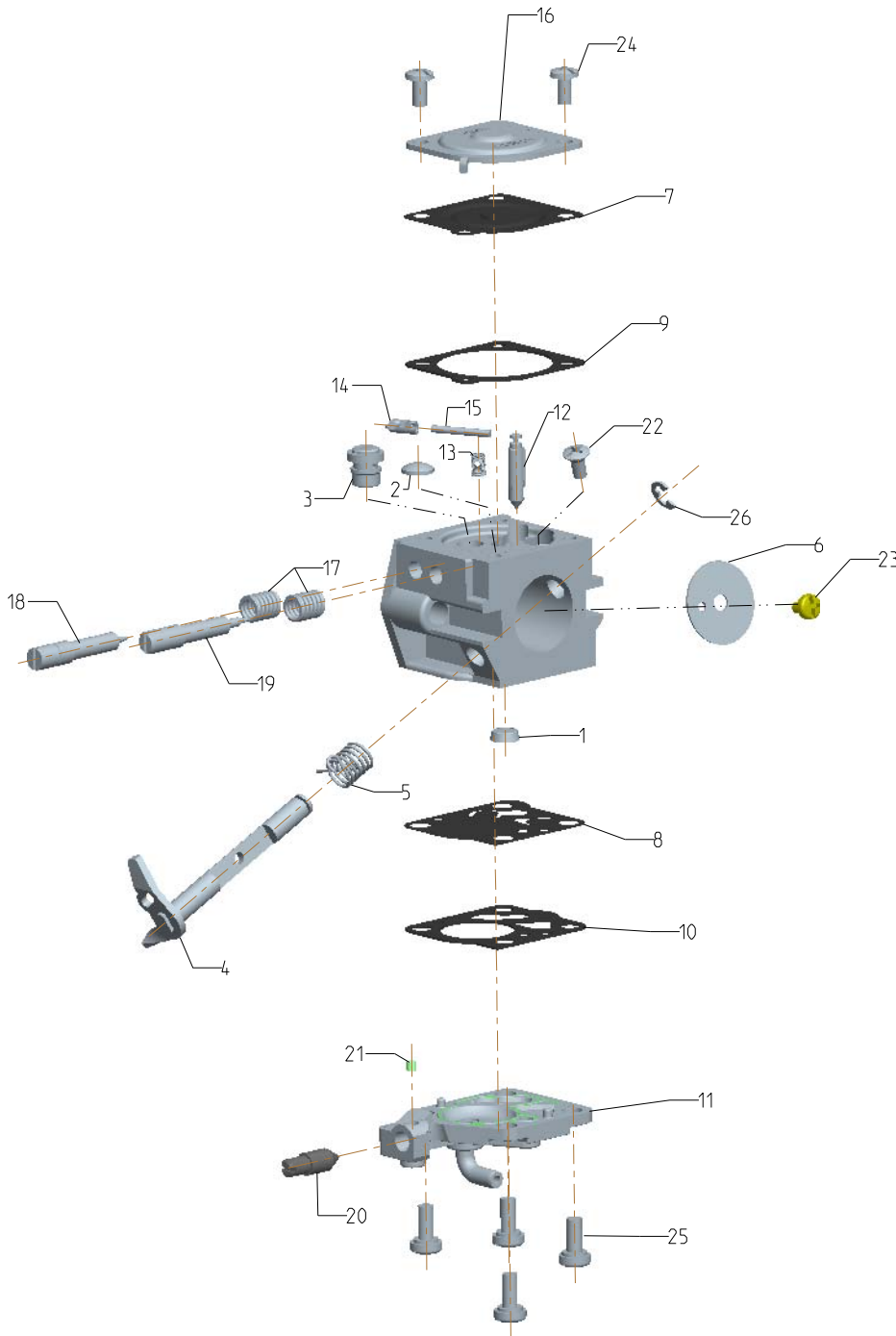


# C1 TYPE

\* THIS ILLUSTRATION DOES NOT REPRESENT EVERY MODEL. THIS IS INTENDED FOR A GENERIC REFERENCE ONLY.



REF NO.	PART NAME
1	STRAINER
2	PLUG, WELCH
3	NOZZLE ASS'Y, CHECK VALVE
4	SHAFT ASS'Y, THROTTLE
5	SPRING, THROTTLE RETURN
6	VALVE, THROTTLE
7	DIAPHRAGM ASS'Y, METERING
8	DIAPHRAGM, PUMP
9	GASKET, METERING CHAMBER
10	GASKET, PUMP
11	COVER ASS'Y, PUMP
12	VALVE, INLET NEEDLE
13	SPRING, METERING LEVER
14	LEVER, METERING
15	PIN
16	COVER, METERING CHAMBER
17	SPRING, ADJUST SCREW
18	SCREW, MAIN MIXTURE
19	SCREW, IDLE MIXTURE
20	SCREW, THROTTLE ADJUST
21	PIECE, FRICTION
22	SCREW, PIN
23	SCREW, THROTTLE VALVE
24	SCREW, METERING COVER
25	SCREW, PUMP COVER
26	E-RING