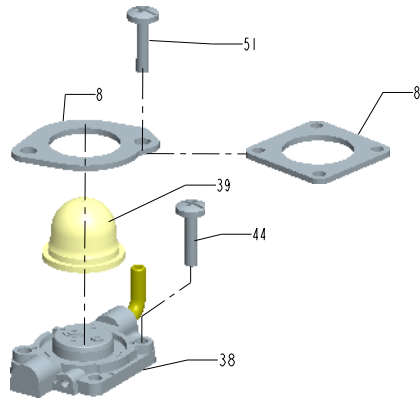
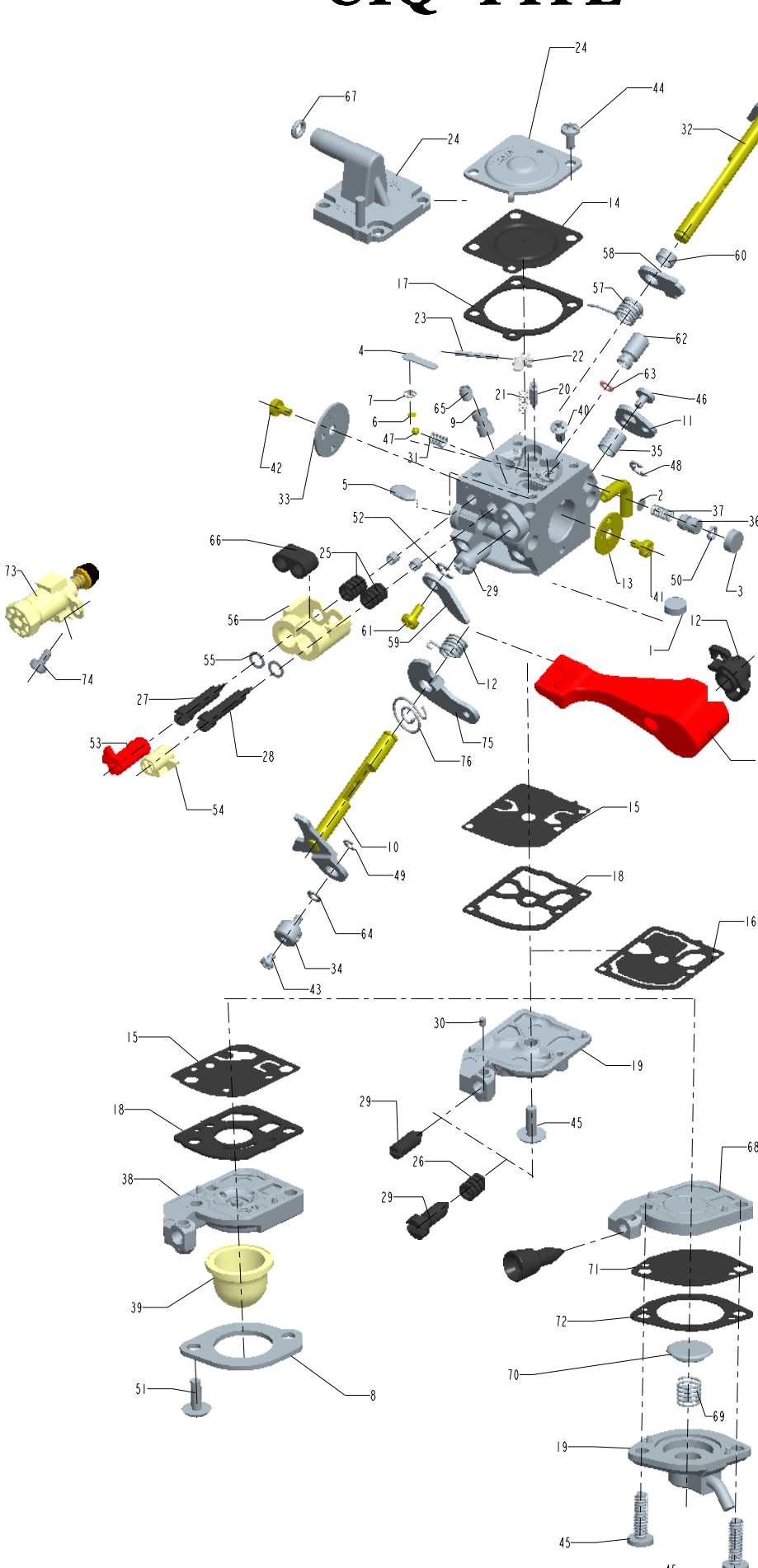


\* THIS ILLUSTRATION DOES NOT REPRESENT EVERY MODEL. THIS IS INTENDED FOR A GENERIC REFERENCE ONLY.

# C1Q TYPE



REF. NO.	PART NAME	PART NO.
1	STRAINER	
2	STRAINER	
3	STRAINER	
4	PLUG, WELCH	
5	PLUG, WELCH	
6	VALVE, CHECK	
7	RETAINER, CHECK VALVE	
8	RETAINER, SYRINGE	
9	NOZZLE ASS'Y, CHECK VALVE	
10	SHAFT ASSEMBLY, THROTTLE	
11	LEVER, THROTTLE	
12	SPRING, THROTTLE RETURN	
13	VALVE, THROTTLE	
14	DIAPHRAGM ASS'Y, METERING	
15	DIAPHRAGM, PUMP	
16	DIAPHRAGM, SURGE	
17	GASKET, METERING CHAMBER	
18	GASKET, PUMP	
19	COVER, PUMP	
20	VALVE, INLET NEEDLE	
21	SPRING, METERING LEVER	
22	LEVER, METERING	
23	PIN	
24	COVER, METERING CHAMBER	
25	SPRING, ADJUST SCREW	
26	SPRING, ADJUST SCREW	
27	SCREW, MAIN MIXTURE	
28	SCREW, IDLE MIXTURE	
29	SCREW, THROTTLE ADJUST	
30	PIECE, FRICTION	
31	SPRING, FRICTION	
32	SHAFT ASS'Y, CHOKE	
33	VALVE, CHOKE	
34	POST	
35	COLLAR	
36	PLUNGER	
37	SPRING, PLUNGER RETURN	
38	BASE ASSEMBLY, PRIMER	
39	SYRINGE	
40	SCREW(PIN)	
41	SCREW (THROTTLE VALVE)	
42	SCREW (CHOKE VALVE)	
43	SCREW (POST)	
44	SCREW (METERING COVER)	
45	SCREW (PUMP COVER)	
46	SCREW (THROTTLE LEVER)	
47	BALL, STEEL	
48	E-RING (THROTTLE SHAFT)	
49	E-RING (POST)	
50	O-RING (PLUNGER)	
51	SCREW, RETAINER	
52	E-RING(CHOKE SHAFT)	
53	LIMITER, MIXTURE (H)	
54	LIMITER, MIXTURE (L)	
55	WASHER (LIMITER)	
56	RETAINER (LIMITER)	
57	SPRING, CHOKE	
58	LEVER, CHOKE CONTROL	
59	LEVER, CHOKE	
60	COLLAR, CHOKE SHAFT	
61	SCREW, CHOKE SHAFT	
62	GOVERNOR ASS'Y	
63	WASHER (GOVERNOR)	
64	WASHER (POST)	
65	REMOTE JET	
66	BOOT, RETAINER	
67	O-RING (METERING COVER)	
68	BODY, KIT PUMP	
69	SPRING, PUMP	
70	RETAINER SPRING	
71	DIAPHRAGM, PUMP	
72	GASKET, PUMP	
73	PLUNGER ASS'Y, STARTER	
74	SCREW (PLUNGER ASS'Y)	
75	LEVER, THROTTLE	
76	SPRING	