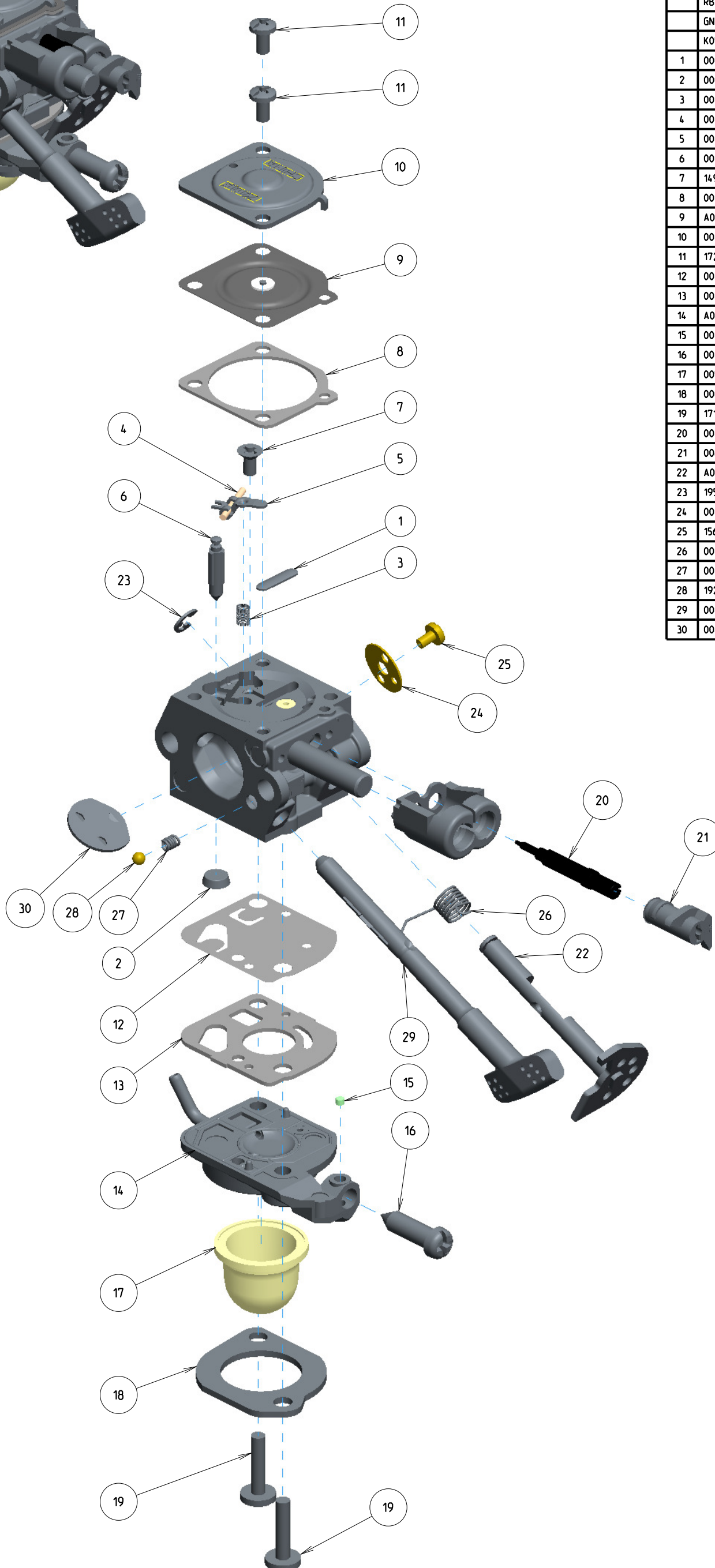
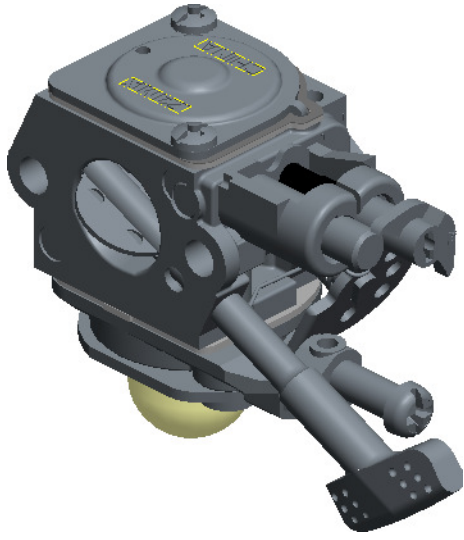


C1U-H39A



| ITEM | ZAMA PART NR. | DESCRIPTION |
|------|---------------|-------------------------------------|
| | C1U-H39A | CARBURETOR ASSEMBLY |
| | RB-29 | REBUILD KIT (1.2.3.4.5.6.8.9.12.13) |
| | GND-18 | GASKET & DIAPHRAGM KIT (8.9.12.13) |
| | K056029 | BASE KIT, PRIMER (14.15.16) |
| 1 | 0005004 | PLUG, WELCH |
| 2 | 0004004 | STRAINER |
| 3 | 0019014 | SPRING, METERING LEVER |
| 4 | 0021001 | PIN |
| 5 | 0020009 | LEVER, METERING |
| 6 | 0018002 | VALVE, INLET NEEDLE |
| 7 | 14903006 | SCREW |
| 8 | 0016019 | GASKET, METERING CHAMBER |
| 9 | A015010 | DIAPHRAGM ASS'Y, METERING |
| 10 | 0028022 | COVER, METERING |
| 11 | 17203006 | SCREW (WITH SERRATION) |
| 12 | 0015051 | DIAPHRAGM, PUMP |
| 13 | 0016046 | GASKET, PUMP |
| 14 | A056050 | BASE ASS'Y, PRIMER |
| 15 | 0036001 | PIECE, FRICTION |
| 16 | 0035033 | SCREW, THROTTLE ADJUST |
| 17 | 0057030 | SYRINGE |
| 18 | 0009015 | RETAINER |
| 19 | 17104015 | SCREW |
| 20 | 0031175 | SCREW, IDLE MIXTURE |
| 21 | 0061025 | LIMITER, TAMPER RESISTANCE (L) |
| 22 | A011164 | SHAFT ASS'Y THROTTLE |
| 23 | 19500030 | E-RING |
| 24 | 0014057 | VALVE, THROTTLE |
| 25 | 15603004 | SCREW |
| 26 | 0013016 | SPRING, THROTTLE RETURN |
| 27 | 0038001 | SPRING, FRICTION |
| 28 | 19290030 | BALL, STEEL |
| 29 | 0041078 | SHAFT, CHOKE |
| 30 | 0043024 | VALVE, CHOKE |