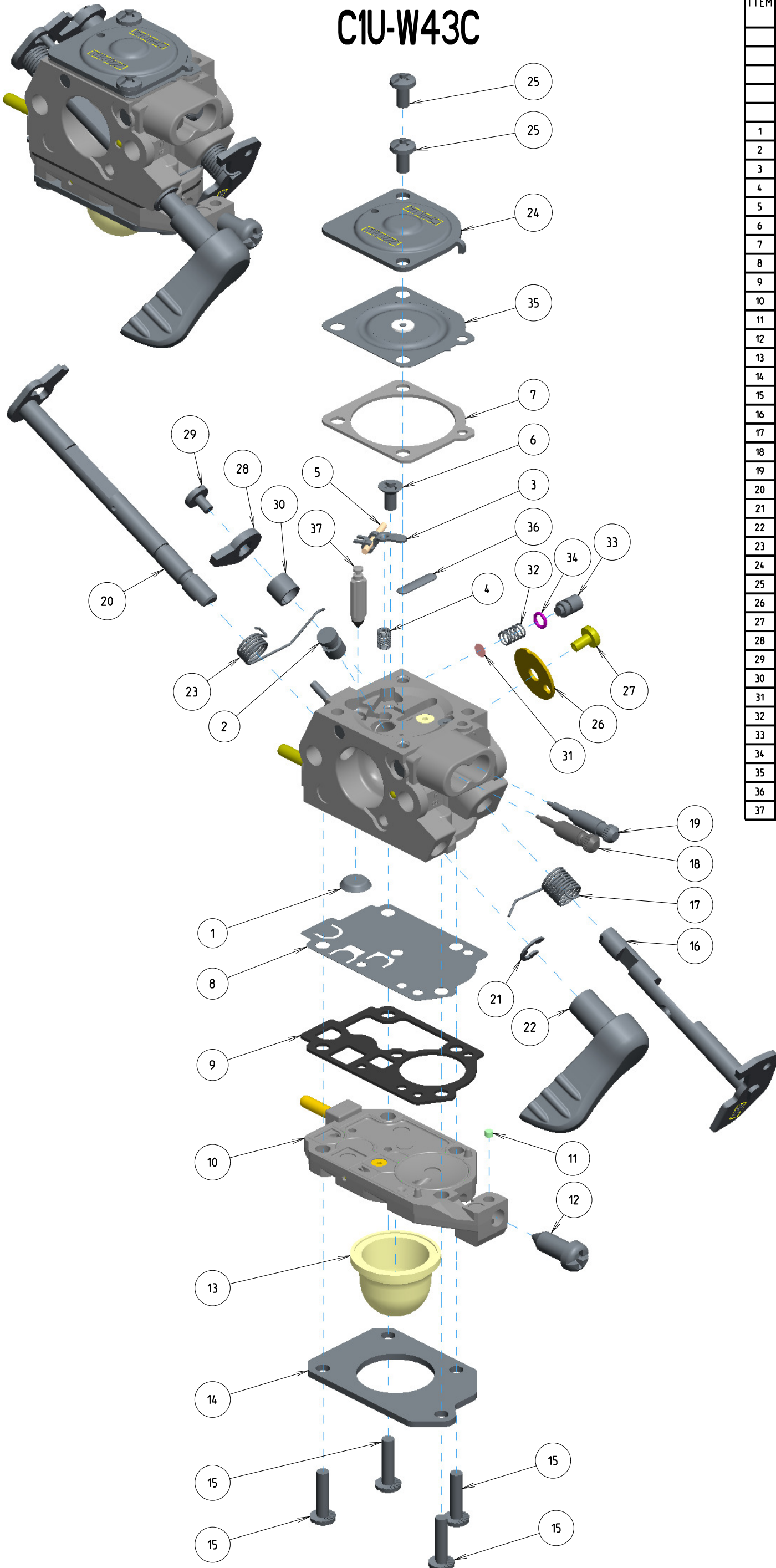


C1U-W43C



| ITEM | ZAMA PART NR. | DESCRIPTION |
|------|---------------|--------------------------------------|
| | C1U-W43C | CARBURETOR ASSEMBLY |
| | RB-224 | REBUILD KIT (1.3.4.5.7.8.9.35.36.37) |
| | GND-134 | GASKET & DIAPHRAGM KIT (7.8.9.35) |
| | K056708 | BASE KIT, PRIMER (10.11.12) |
| | K053059 | PLUNGER KIT (33.34) |
| 1 | 0004032 | STRAINER |
| 2 | A007188 | NOZZLE ASS'Y, CHECK VALVE |
| 3 | 0020009 | LEVER, METERING |
| 4 | 0019002 | SPRING, METERING LEVER |
| 5 | 0021001 | PIN |
| 6 | 14903006 | SCREW |
| 7 | 0016019 | GASKET, METERING CHAMBER |
| 8 | 0015709 | DIAPHRAGM, PUMP |
| 9 | 0016702 | GASKET, PUMP |
| 10 | A056708 | BASE ASS'Y, PRIMER |
| 11 | 0036001 | PIECE, FRICTION |
| 12 | 0035035 | SCREW, THROTTLE ADJUST |
| 13 | 0057703 | SYRINGE |
| 14 | 0009084 | RETAINER, SYRINGE |
| 15 | 17203012 | SCREW |
| 16 | A011268 | ASS'Y, THROTTLE SHAFT |
| 17 | 0013016 | SPRING, THROTTLE RETURN |
| 18 | 0030251 | SCREW, MAIN MIXTURE |
| 19 | 0031212 | SCREW, IDLE MIXTURE |
| 20 | A041130 | SHAFT ASS'Y, CHOKE |
| 21 | 19500035 | E-RING |
| 22 | 0042178 | LEVER, CHOKE |
| 23 | 0013085 | SPRING, CHOKE RETURN |
| 24 | 0028022 | COVER, METERING |
| 25 | 17203006 | SCREW (WITH SERRATION) |
| 26 | 0014033 | VALVE, THROTTLE |
| 27 | 156030045 | SCREW |
| 28 | 0012181 | LEVER, THROTTLE |
| 29 | 17103004 | SCREW |
| 30 | 0052006 | COLLAR |
| 31 | 0004005 | STRAINER |
| 32 | 0054057 | SPRING |
| 33 | 0053064 | PLUNGER |
| 34 | 195702308 | O-RING |
| 35 | A015010 | DIAPHRAGM ASS'Y, METERING |
| 36 | 0005004 | PLUG, WELCH |
| 37 | 0018002 | VALVE, INLET NEEDLE |