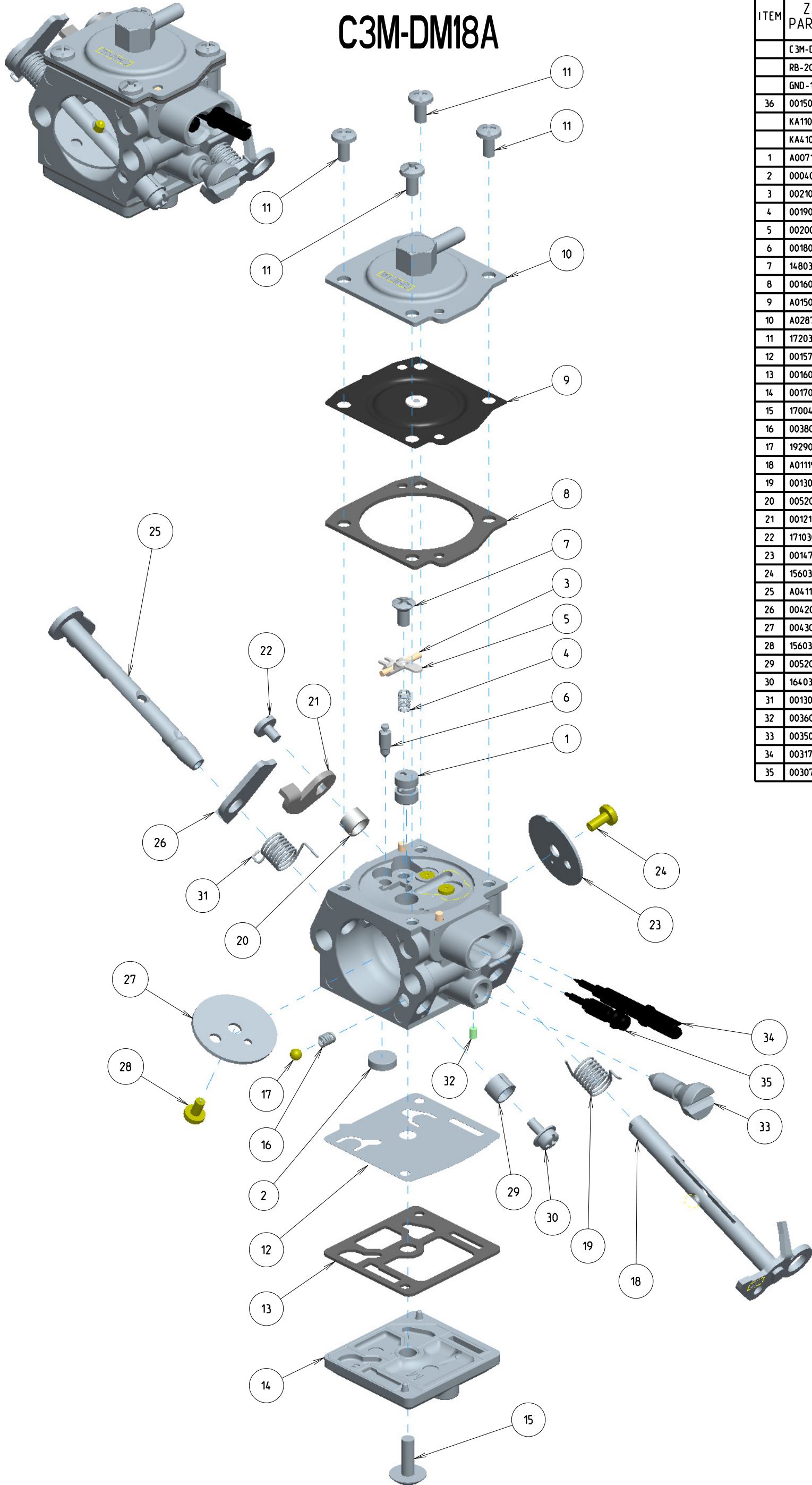


# C3M-DM18A



ITEM	ZAMA PART NR.	DESCRIPTION
	C3M-DM18A	CARBURETOR ASSEMBLY
	RB-201	REBUILD KIT (2,3,4,5,6,7,8,9,12,13,36)
	GND-118	GASKET & DIAPHRAGM KIT (8,9,12,13,36)
36	0015046	DIAPHRAGM, PUMP (RUBBER)
	KA11013	THROTTLE KIT (18,19,20,21,22,23,24)
	KA41013	CHOKE KIT (16,17,25,26,27,28,29,30,31)
1	A007176	NOZZLE ASS'Y, CHECK VALVE
2	0004011	STRAINER
3	0021001	PIN
4	0019012	SPRING, METERING LEVER
5	0020012	LEVER, METERING
6	0018004	VALVE, INLET NEEDLE
7	14803006	SCREW
8	0016051	GASKET, METERING CHAMBER
9	A015059	DIAPHRAGM ASS'Y, METERING
10	A028702	COVER, ASS'Y METERING CHAMBER
11	17203006	SCREW (WITH SERRATION)
12	0015704	DIAPHRAGM, PUMP
13	0016032	GASKET, PUMP
14	0017098	COVER, PUMP
15	17004010	SCREW (PUMP COVER)
16	0038001	SPRING, FRICTION
17	19290030	BALL, STEEL
18	A011197	SHAFT ASS'Y THROTTLE
19	0013020	SPRING, THROTTLE RETURN
20	0052004	COLLAR
21	0012171	LEVER, THROTTLE
22	17103004	SCREW
23	0014707	VALVE, THROTTLE
24	156030055	SCREW
25	A041101	SHAFT ASS'Y, CHOKE
26	0042097	LEVER, CHOKE
27	0043054	VALVE, CHOKE
28	156030045	SCREW
29	0052001	COLLAR
30	16403006	SCREW (WITH PLAIN WASHER)
31	0013067	SPRING, CHOKE RETURN
32	0036001	PIECE, FRICTION
33	0035036	SCREW, THROTTLE ADJUST
34	0031709	SCREW, IDLE MIXTURE
35	0030711	SCREW, MAIN MIXTURE