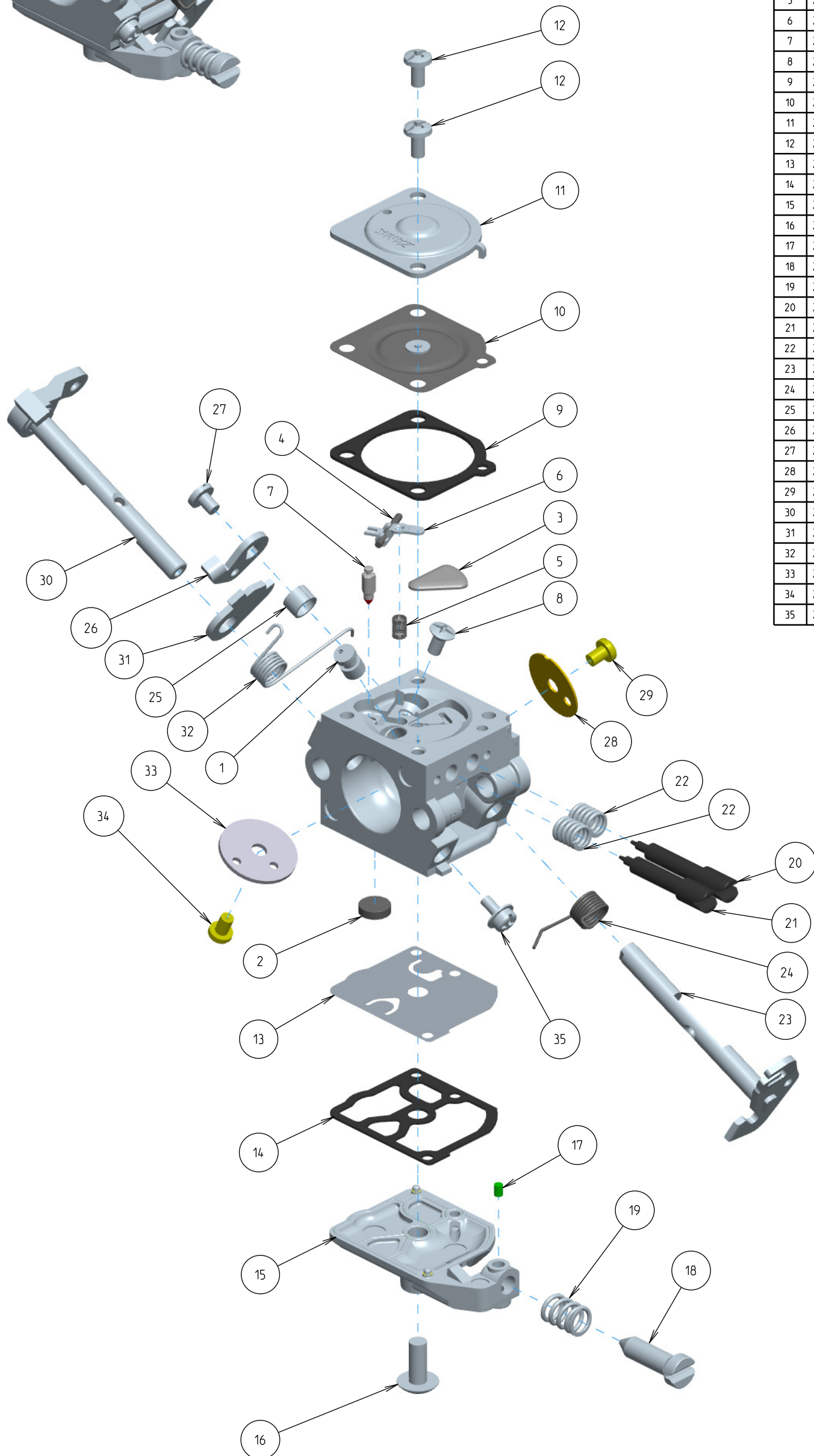
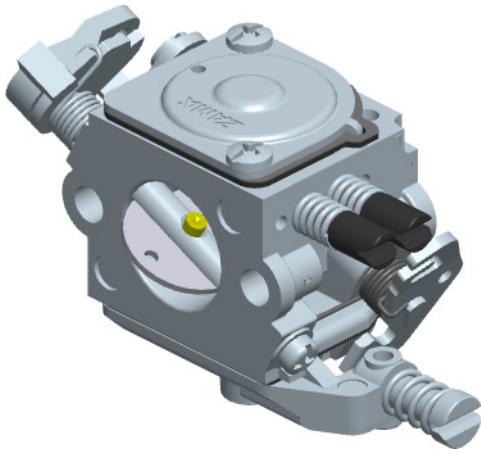


# Z014-120-0621-A



ITEM	ZAMA PART NR.	DESCRIPTION
	Z014-120-0621-A	CARBURETOR ASSEMBLY
	Z000 001 K139	REBUILD KIT (2,3,4,5,6,7,9,10,13,14)
	Z000 003 K024	GASKET & DIAPHRAGM KIT (9,10,13,14)
1	Z000 007 A128	Nozzle assy
2	Z000 004 Z010	Strainer
3	Z000 005 Z030	Plug
4	Z000 021 Z006	Pin
5	Z000 019 Z003	Metering spring
6	Z000 020 Z002	Metering lever
7	Z000 018 Z000	Inlet needle
8	Z000 500 Z001	Metering lever screw
9	Z000 016 Z014	Metering gasket
10	Z000 015 A029	Metering diaphragm assy
11	Z000 028 Z005	Metering cover
12	Z000 720 Z001	Binding screw vs serration
13	Z000 022 Z006	Pump diaphragm
14	Z000 023 Z008	Pump gasket
15	Z000 017 Z005	Pump cover
16	Z000 700 Z000	Truss head screw
17	Z000 036 Z001	Friction piece
18	Z000 035 Z038	Idle speed screw
19	Z000 029 Z005	Adjustment screw spring
20	Z000 031 Z135	Low speed screw
21	Z000 030 Z105	High speed screw
22	Z000 029 Z001	Adjustment screw spring
23	Z000 011 A031	Throttle shaft assy
24	Z000 013 Z092	Return spring
25	Z000 052 Z014	Collar
26	Z000 012 Z013	Throttle lever
27	Z000 710 Z008	Binding head screw
28	Z000 014 Z010	Throttle valve
29	Z000 510 Z002	Valve screw
30	Z000 041 A008	Choke shaft assy
31	Z000 042 Z005	Choke lever
32	Z000 013 Z096	Return spring
33	Z000 043 Z008	Choke Valve
34	Z000 510 Z000	Valve screw
35	Z000 630 Z004	Pan screw vs washer