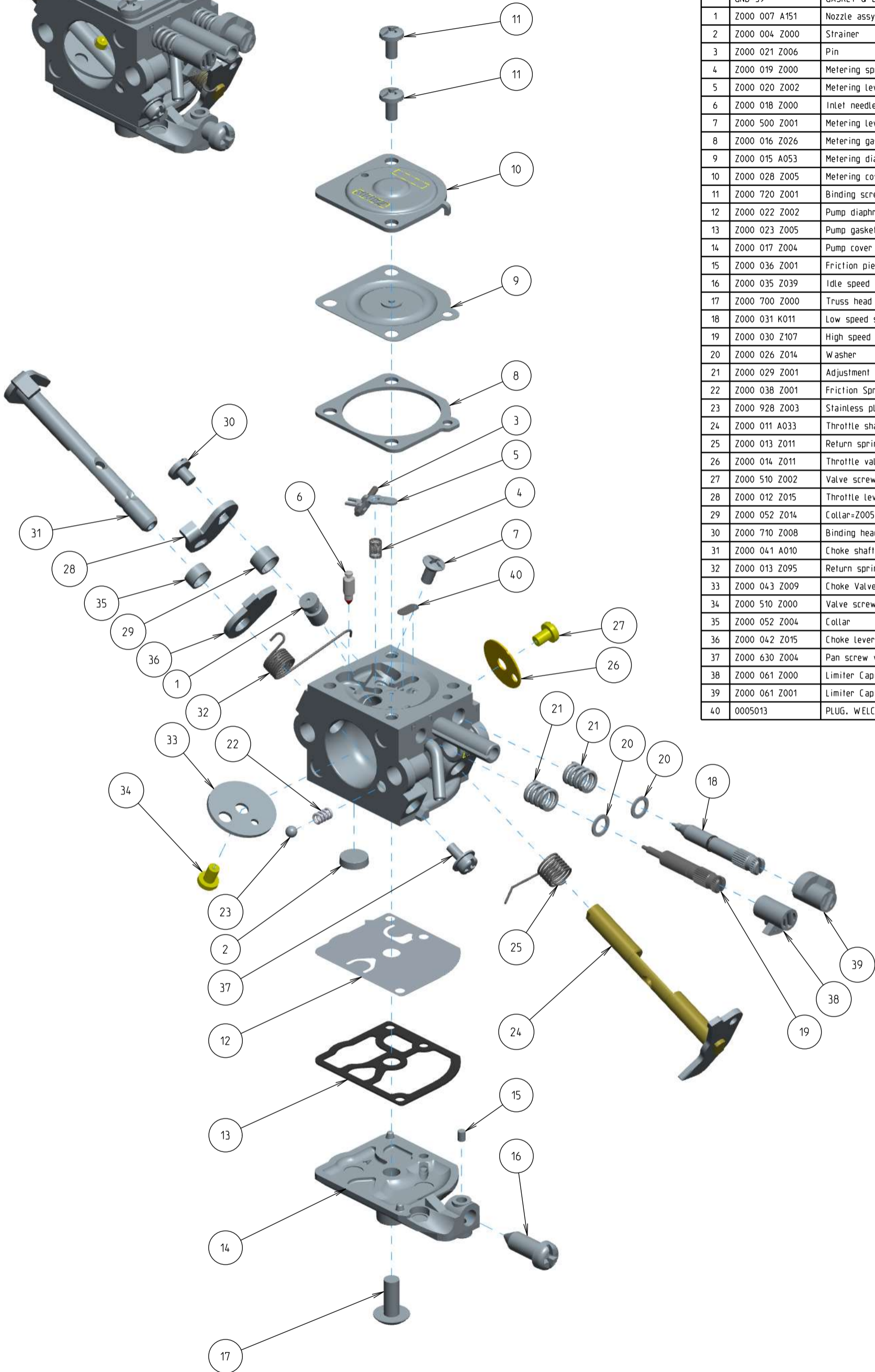
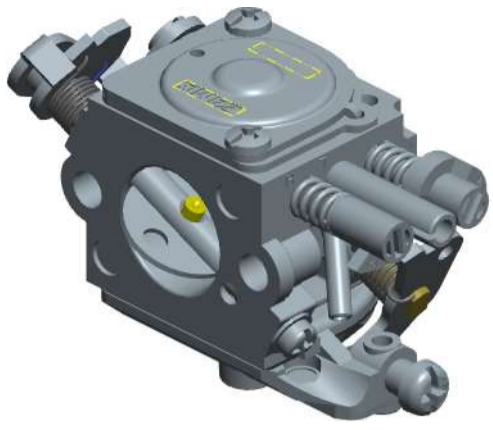


Z014-120-0625-A



ITEM	ZAMA PART NR.	DESCRIPTION
	Z014-120-0625-A	Carburetor C1Q
	RB-69	REBUILD KIT (2.3.4.5.6.8.9.12.13.40)
	GND-39	GASKET & DIAPHRAGM KIT (8.9.12.13)
1	Z000 007 A151	Nozzle assy=A007232A
2	Z000 004 Z000	Strainer
3	Z000 021 Z006	Pin
4	Z000 019 Z000	Metering spring
5	Z000 020 Z002	Metering Lever
6	Z000 018 Z000	Inlet needle
7	Z000 500 Z001	Metering Lever screw
8	Z000 016 Z026	Metering gasket
9	Z000 015 A053	Metering diaphragm assy=A015018
10	Z000 028 Z005	Metering cover
11	Z000 720 Z001	Binding screw vs serration
12	Z000 022 Z002	Pump diaphragm
13	Z000 023 Z005	Pump gasket
14	Z000 017 Z004	Pump cover
15	Z000 036 Z001	Friction piece
16	Z000 035 Z039	Idle speed screw=Z0035035A
17	Z000 700 Z000	Truss head screw
18	Z000 031 K011	Low speed screw kit
19	Z000 030 Z107	High speed screw=Z0030140A
20	Z000 026 Z014	Washer
21	Z000 029 Z001	Adjustment screw spring
22	Z000 038 Z001	Friction Spring
23	Z000 928 Z003	Stainless plug ball
24	Z000 011 A033	Throttle shaft assy=A011195A
25	Z000 013 Z011	Return spring
26	Z000 014 Z011	Throttle valve=Z0014048
27	Z000 510 Z002	Valve screw
28	Z000 012 Z015	Throttle lever=Z0012099A
29	Z000 052 Z014	Collar=Z0052004A
30	Z000 710 Z008	Binding head screw
31	Z000 041 A010	Choke shaft assy=A041079B
32	Z000 013 Z095	Return spring=Z0013068
33	Z000 043 Z009	Choke Valve=Z0043051A
34	Z000 510 Z000	Valve screw
35	Z000 052 Z004	Collar
36	Z000 042 Z015	Choke Lever=Z0042087A
37	Z000 630 Z004	Pan screw vs washer
38	Z000 061 Z000	Limiter Cap=Z0061005B
39	Z000 061 Z001	Limiter Cap
40	0005013	PLUG, WELCH