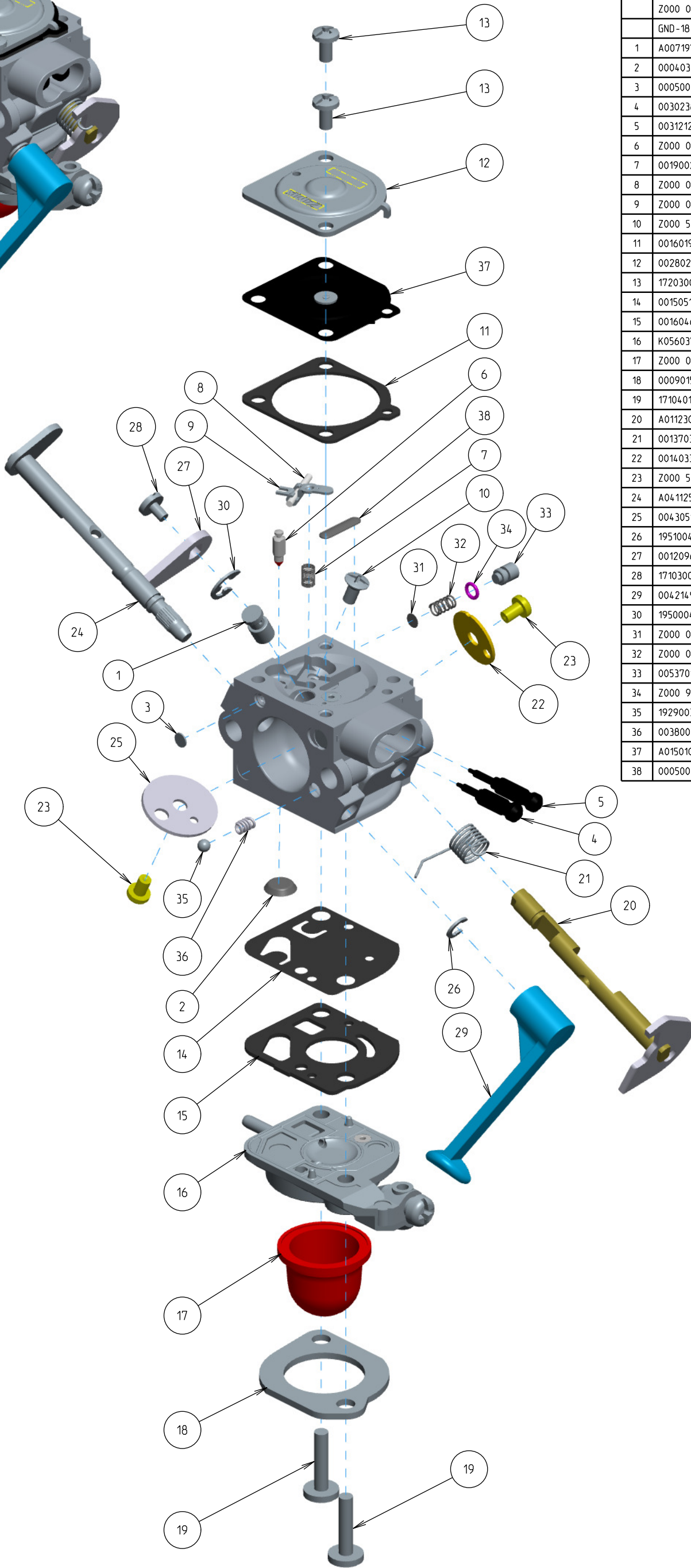
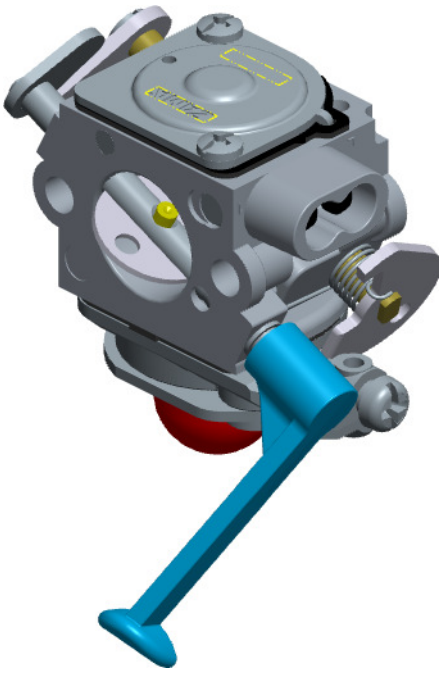


Z020-120-0613-A



ITEM	ZAMA PART NR.	DESCRIPTION
	Z020-120-0613-A	CARBURETOR ASSEMBLY
	Z000 001 K004	REBUILD KIT (2.6,7.8,9,11,14,15,17,37,38)
	GND-18	GASKET & DIAPHRAGM KIT (11,14,15,37)
1	A007197	NOZZLE ASS'Y, CHECK VALVE
2	0004032	STRAINER
3	0005009	PLUG,WELCH
4	0030238	SCREW, MAIN MIXTURE
5	0031212	SCREW, IDLE MIXTURE
6	Z000 018 Z000	Inlet needle =Z001B004
7	0019002	SPRING, METERING LEVER
8	Z000 021 Z006	Pin
9	Z000 020 Z002	Metering lever
10	Z000 500 Z001	Metering lever screw
11	0016019	GASKET,METERING CHAMBER
12	0028022	COVER, METERING
13	17203006	SCREW (WITH SERRATION)
14	0015051	DIAPHRAGM, PUMP
15	0016046	GASKET, PUMP
16	K056037	BASE KIT, PRIMER
17	Z000 057 Z001	SYRINGE
18	0009015	RETAINER
19	17104015	SCREW
20	A011230	SHAFT ASS'Y, THROTTLE
21	0013703	SPRING, THROTTLE RETURN
22	0014033	VALVE, THROTTLE
23	Z000 510 Z000	Valve screw
24	A041125	SHAFT ASS'Y, CHOKE
25	0043051	VALVE, CHOKE
26	19510040	E-RING
27	0012096	LEVER,THROTTLE
28	17103004	SCREW
29	0042149	LEVER, CHOKE
30	19500040	E-ring
31	Z000 004 Z001	Strainer =Z0004005
32	Z000 054 Z006	Spring =Z0054057
33	0053701	PLUNGER
34	Z000 957 Z000	1st class O-ring
35	19290030	BALL, STEEL
36	0038001	SPRING, FRICTION
37	A015010	DIAPHRAGM ASS'Y,METERING
38	0005004	PLUG, WELCH