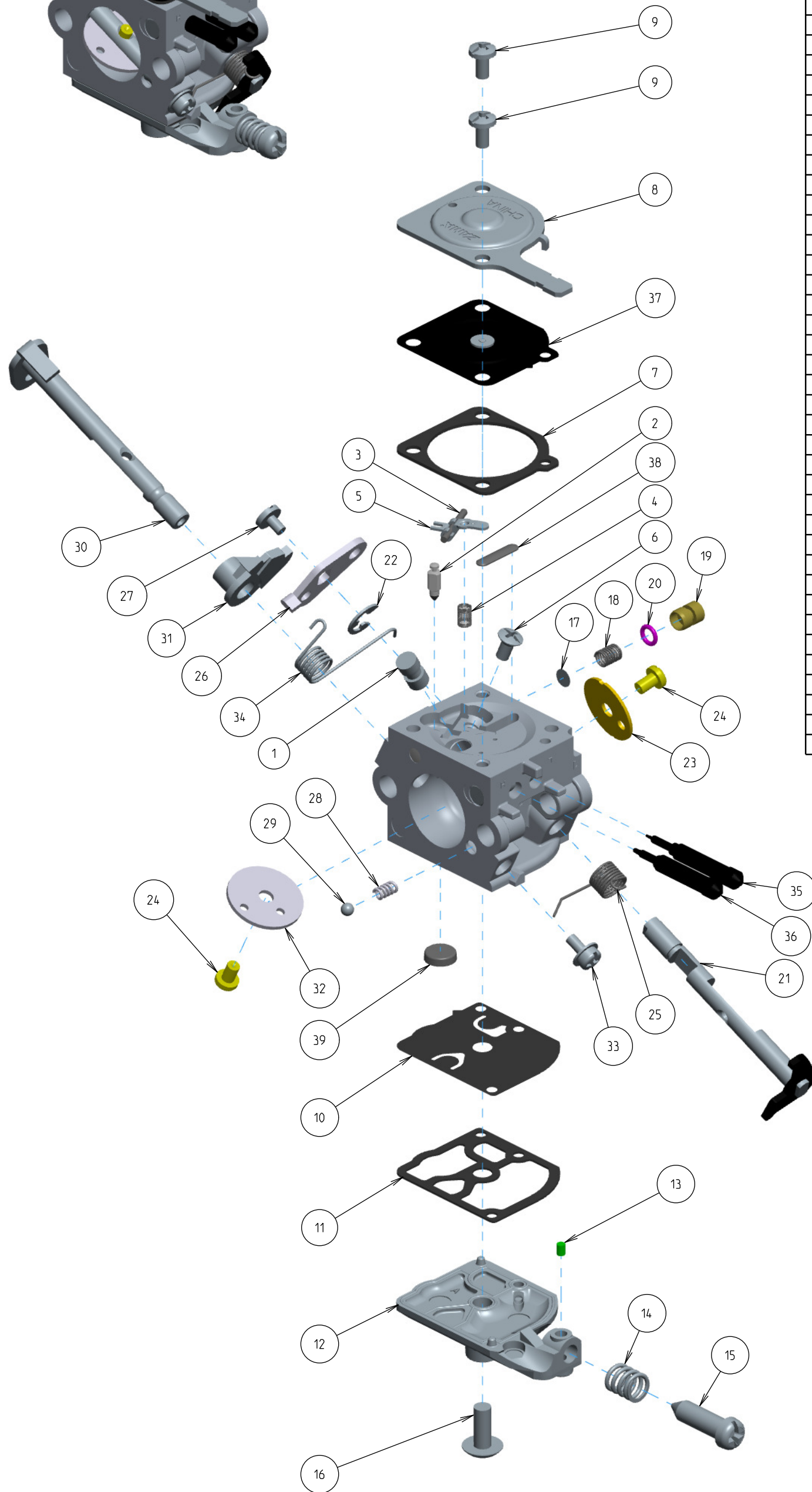


Z020-120-0630-A



ITEM	ZAMA PART NR.	DESCRIPTION
	Z020-120-0630-A	CARBURETOR ASSEMBLY
	Z000 001 K057	REBUILD KIT (2,3,4,5,7,10,11,37,38,39)
	GND-27	GASKET & DIAPHRAGM KIT (7,10,11,37)
	K017036	COVER KIT, PUMP (12,13,14,15)
1	A007200	NOZZLE ASS'Y, CHECK VALVE
2	Z000 018 Z001	Inlet needle
3	Z000 021 Z006	Pin
4	Z000 019 Z003	Metering spring
5	Z000 020 Z002	Metering lever
6	Z000 500 Z001	Metering lever screw
7	0016019	GASKET,METERING CHAMBER
8	0028038	COVER, METERING
9	17203006	Binding screw vs serration
10	Z000 022 Z002	Pump diaphragm
11	Z000 023 Z005	Pump gasket
12	0017025	COVER, PUMP
13	Z000 036 Z001	Friction piece
14	0029007	SPRING, ADJUST SCREW
15	0035033	SCREW, THROTTLE ADJUST
16	Z000 700 Z000	Truss head screw
17	0004002	Strainer
18	0054025	SPRING
19	0053005	PLUNGER
20	Z000 955 Z014	2nd class O-ring
21	A011239	SHAFT ASS'Y, THROTTLE
22	Z000 950 Z000	E-ring
23	0014121	VALVE, THROTTLE
24	Z000 510 Z000	Valve screw
25	Z000 013 Z011	Return spring
26	0012238	LEVER, THROTTLE
27	17103004	SCREW
28	Z000 038 Z001	Friction Spring
29	Z000 928 Z003	Stainless plug ball
30	A041084	SHAFT ASS'Y, CHOKE
31	0042088	LEVER,INTERMEDIATE (PLASTIC)
32	0043019	VALVE, CHOKE
33	16403006	SCREW (WITH PLAIN WASHER)
34	0013071	SPRING, CHOKE RETURN
35	0031197	SCREW, IDLE MIXTURE
36	0030197	SCREW,MAIN MIXTURE
37	A015010	DIAPHRAGM ASS'Y, METERING
38	0005004	PLUG, WELCH
39	0004011	STRAINER