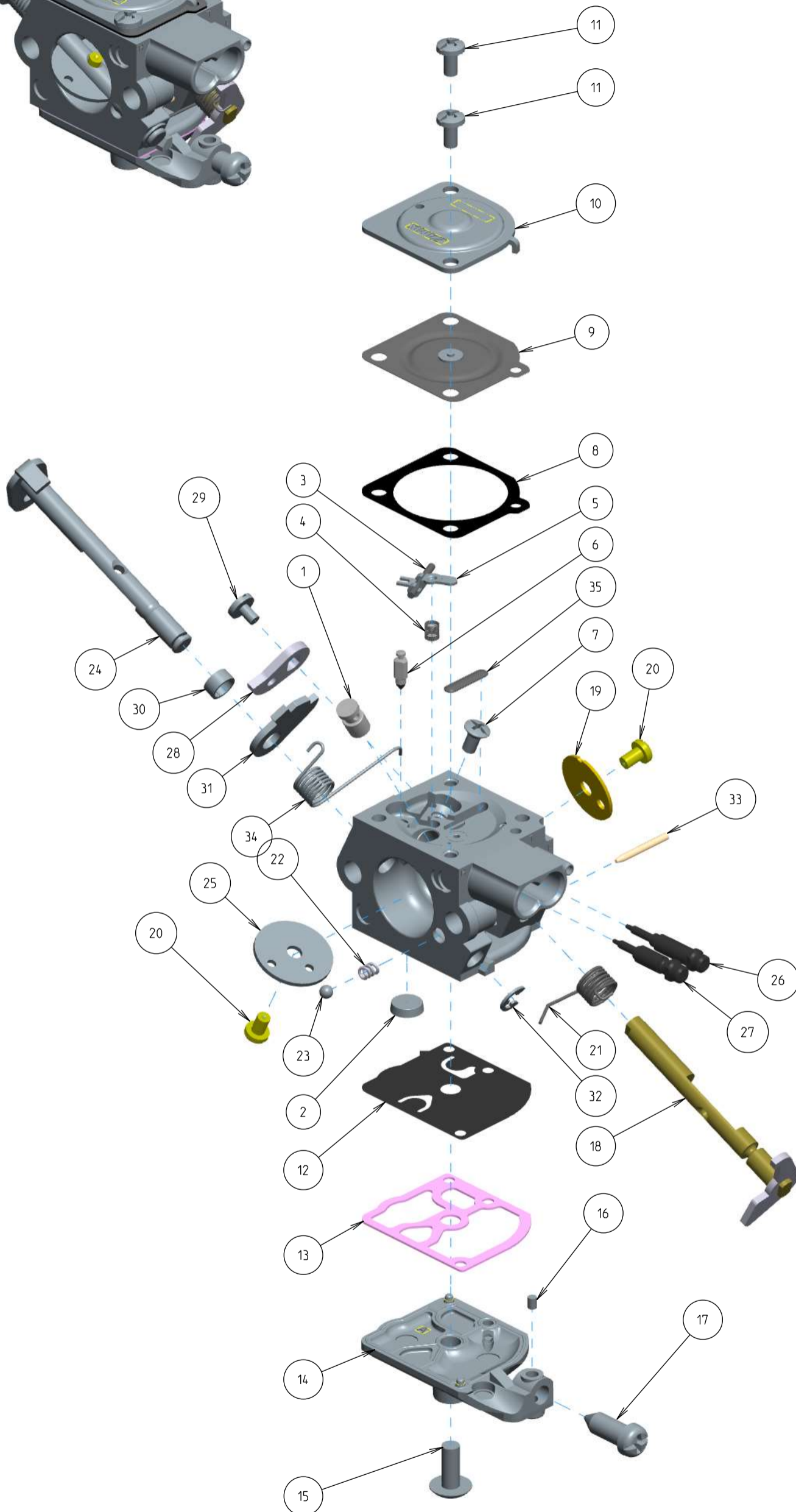
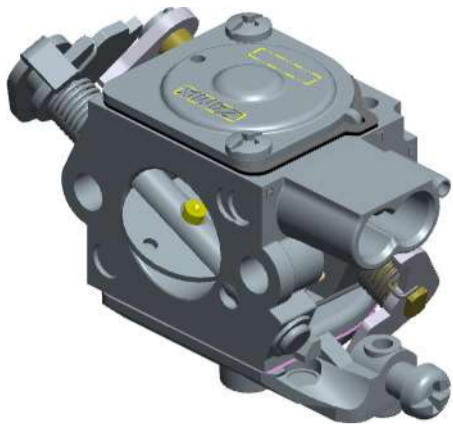


# Z021-120-0602-B



ITEM	ZAMA PART NR.	DESCRIPTION
	Z021-120-0602-B	Carburetor C1Q
	Z000 001 K009	REBUILD KIT (2.3.4.5.6.8.9.12.13.35)
	Z000 003 K002	GASKET & DIAPHRAGM KIT (8.9.12.13)
1	A007268	NOZZLE ASS'Y. CHECK VALVE
2	Z000 004 Z000	Strainer
3	Z000 021 Z006	Pin
4	Z000 019 Z003	Metering spring
5	Z000 020 Z002	Metering Lever
6	Z000 018 Z001	Inlet needle
7	Z000 500 Z001	Metering Lever screw
8	Z000 016 Z003	Metering gasket
9	A015010	Metering diaphragm assy
10	0028022	COVER, METERING
11	Z000 720 Z001	Binding screw vs serration
12	Z000 022 Z002	Pump diaphragm
13	Z000 023 Z004	Pump gasket
14	0017025	COVER, PUMP
15	Z000 700 Z000	Truss head screw
16	Z000 036 Z001	Friction piece
17	0035035	SCREW, THROTTLE ADJUST
18	Z021-011-A000	Throttle shaft assy
19	0014104	Throttle valve
20	Z000 510 Z000	Valve screw
21	0013042	SPRING, THROTTLE RETURN
22	Z000 038 Z001	Friction Spring
23	Z000 928 Z003	Stainless plug ball
24	Z000-041-A002	Choke shaft assy
25	0043019	VALVE, CHOKE
26	0031244	SCREW, IDLE MIXTURE
27	Z000 030 Z049	High speed screw
28	0012259	LEVER, THROTTLE
29	17103004	Binding head screw
30	0052005	Collar
31	0042022	LEVER, CHOKE
32	Z000 950 Z001	E-ring
33	Z000 021 Z002	Pin
34	0013071	SPRING, CHOKE RETURN
35	0005004	PLUG, WELCH