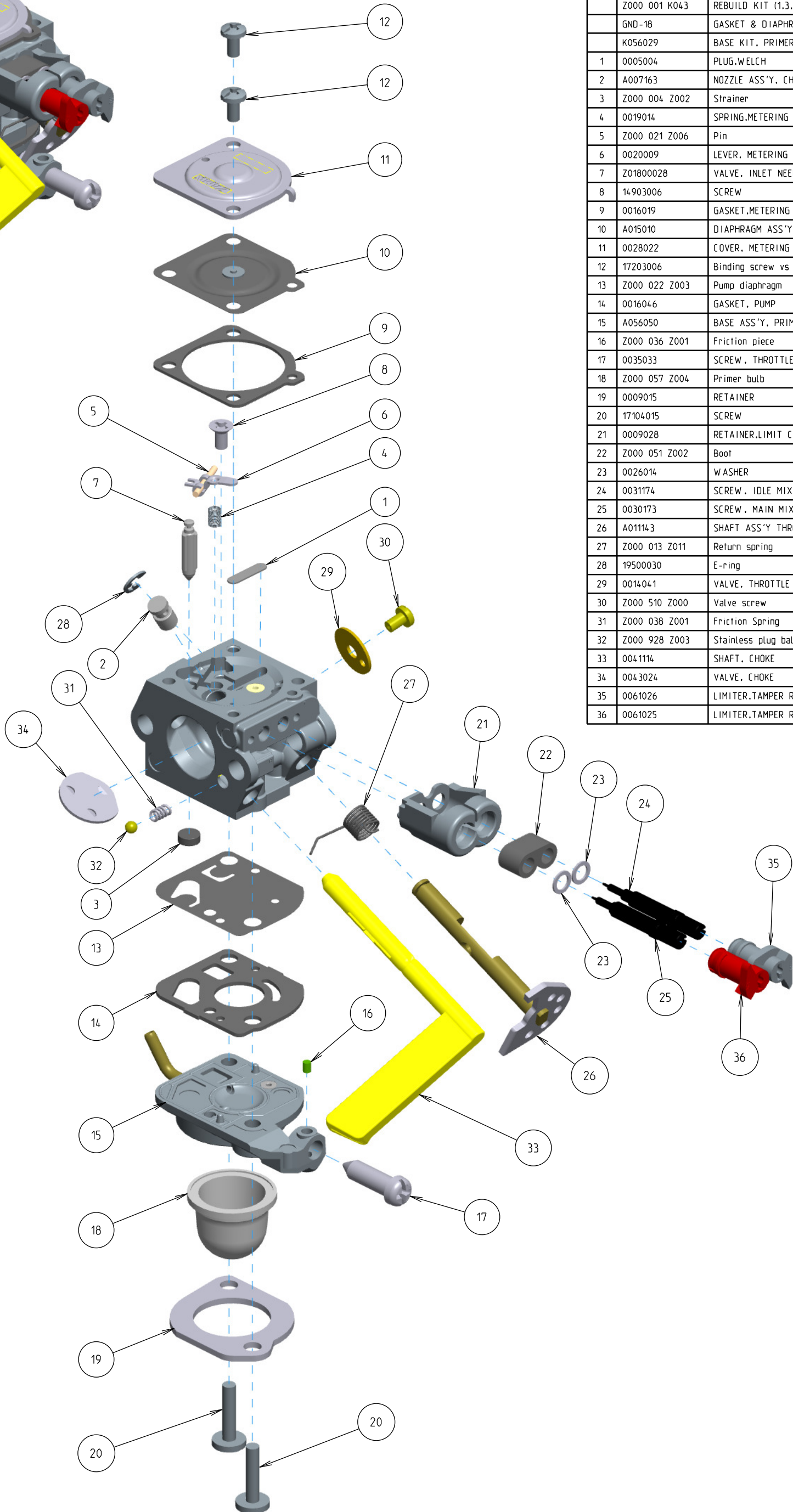
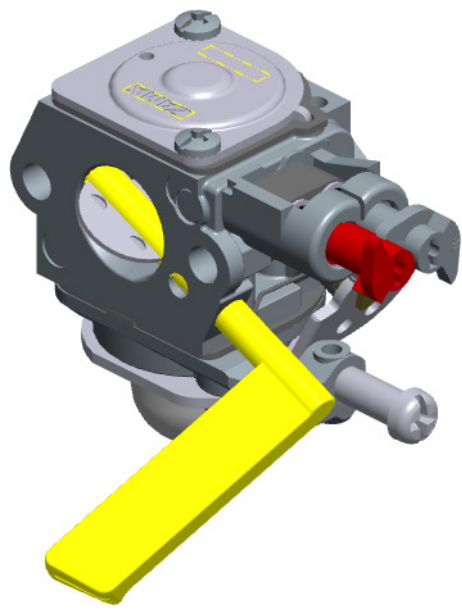


Z021-120-0607-A



ITEM	ZAMA PART NR.	DESCRIPTION
	Z021-120-0607-A	CARBURETOR ASSEMBLY
	Z000 001 K043	REBUILD KIT (1,3,4,5,6,7,9,10,13,14)
	GND-18	GASKET & DIAPHRAGM KIT (9,10,13,14)
	K056029	BASE KIT, PRIMER (15,16,17)
1	0005004	PLUG,WELCH
2	A007163	NOZZLE ASS'Y, CHECK VALVE
3	Z000 004 Z002	Strainer
4	0019014	SPRING,METERING LEVER
5	Z000 021 Z006	Pin
6	0020009	LEVER, METERING
7	Z01800028	VALVE, INLET NEEDLE
8	14903006	SCREW
9	0016019	GASKET,METERING CHAMBER
10	A015010	DIAPHRAGM ASS'Y, METERING
11	0028022	COVER, METERING
12	17203006	Binding screw vs serration
13	Z000 022 Z003	Pump diaphragm
14	0016046	GASKET, PUMP
15	A056050	BASE ASS'Y, PRIMER
16	Z000 036 Z001	Friction piece
17	0035033	SCREW, THROTTLE ADJUST
18	Z000 057 Z004	Primer bulb
19	0009015	RETAINER
20	17104015	SCREW
21	0009028	RETAINER,LIMIT CAP
22	Z000 051 Z002	Boot
23	0026014	WASHER
24	0031174	SCREW, IDLE MIXTURE
25	0030173	SCREW, MAIN MIXTURE
26	A011143	SHAFT ASS'Y THROTTLE
27	Z000 013 Z011	Return spring
28	19500030	E-ring
29	0014041	VALVE, THROTTLE
30	Z000 510 Z000	Valve screw
31	Z000 038 Z001	Friction Spring
32	Z000 928 Z003	Stainless plug ball
33	0041114	SHAFT, CHOKE
34	0043024	VALVE, CHOKE
35	0061026	LIMITER,TAMPER RESISTANCE
36	0061025	LIMITER,TAMPER RESISTANCE