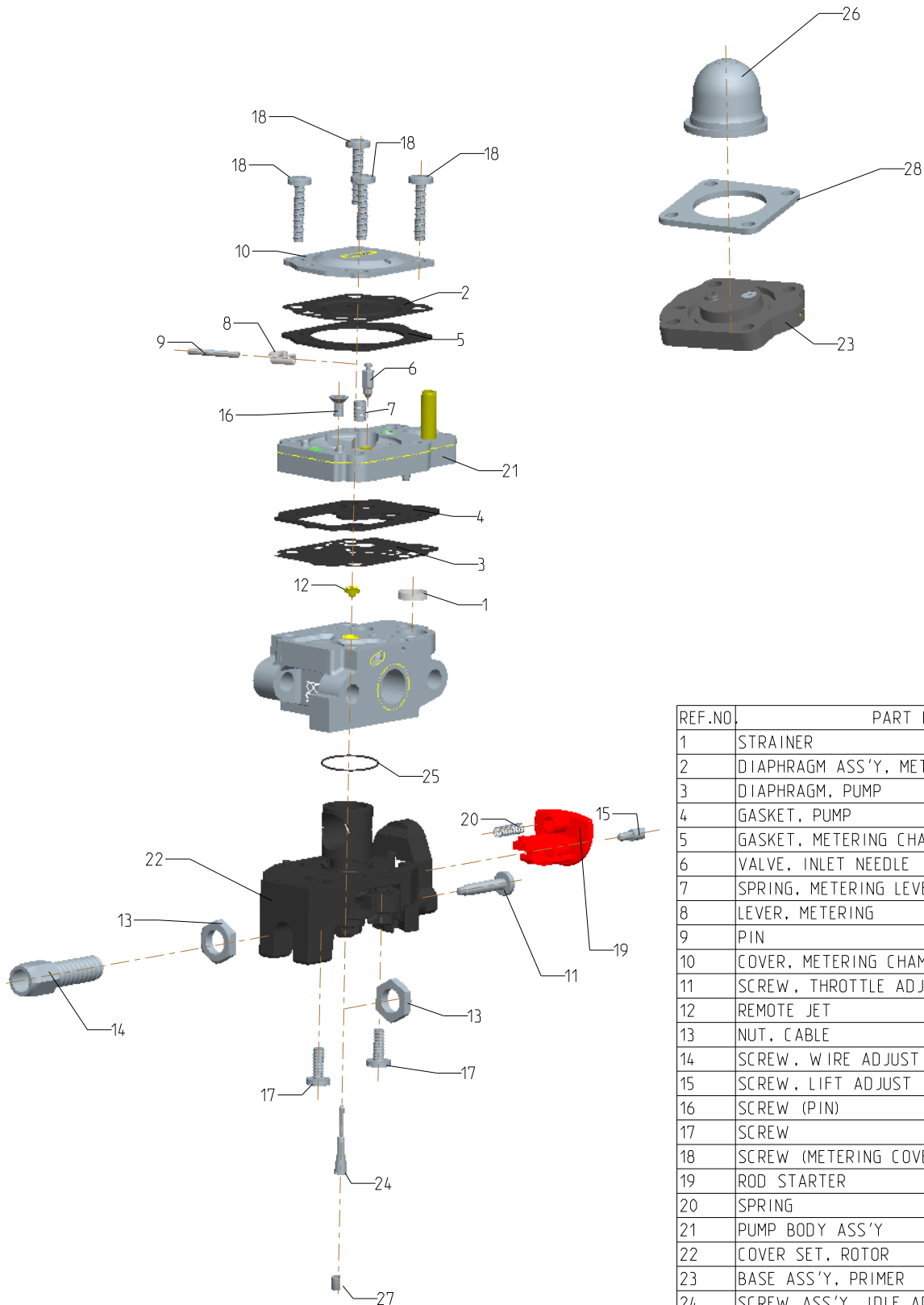


# RC1/RC2 TYPE

\* THIS ILLUSTRATION DOES NOT REPRESENT EVERY MODEL. THIS IS INTENDED FOR A GENERIC REFERENCE ONLY.



REF.NO.	PART NAME
1	STRAINER
2	DIAPHRAGM ASS'Y, METERING
3	DIAPHRAGM, PUMP
4	GASKET, PUMP
5	GASKET, METERING CHAMBER
6	VALVE, INLET NEEDLE
7	SPRING, METERING LEVER
8	LEVER, METERING
9	PIN
10	COVER, METERING CHAMBER
11	SCREW, THROTTLE ADJUST
12	REMOTE JET
13	NUT, CABLE
14	SCREW, WIRE ADJUST
15	SCREW, LIFT ADJUST
16	SCREW (PIN)
17	SCREW
18	SCREW (METERING COVER)
19	ROD STARTER
20	SPRING
21	PUMP BODY ASS'Y
22	COVER SET, ROTOR
23	BASE ASS'Y, PRIMER
24	SCREW ASS'Y, IDLE ADJUST
25	O-RING
26	SYRINGE
27	PLUG ADJUST SCREW
28	RETAINER